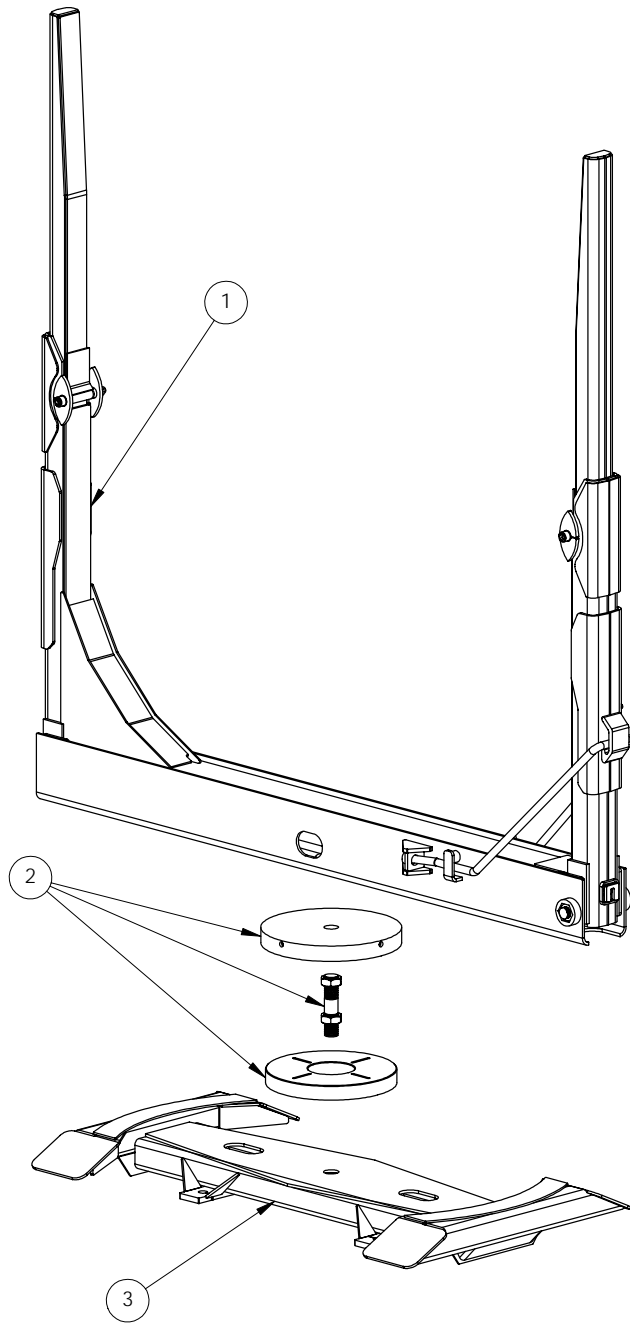


## TABLE OF CONTENTS (PART I)

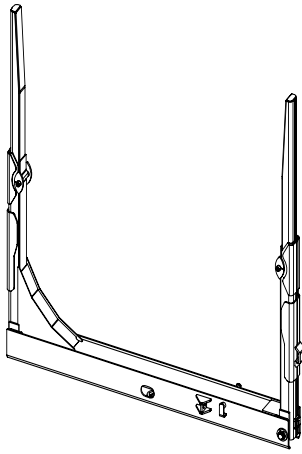
### **Bunk Assemblies, Stake, Extension & Bunk Hardware**

Channel Bunk Base .....	2
Short Wood Logger Bunk Base.....	2
Low Profile Bunk Base .....	2
Hayrack Channel Bunk.....	3
Drop-In Bunk .....	3
Fixed/Tripped Main Stake.....	4
Tapered Extension.....	4
Bunk Hardware.....	5
Bunk Clip .....	5
 Bolsters	
Truck Bolster.....	6
Tandem Pole Trailer Bolster.....	6
Tri-Axle and Tridem Pole Trailer Bolster .....	6
 Cup/Saucer/Bolt/Nut .....	6
 Reaches	
Tri-Axle A-Frame Reach.....	7
Tri-Axle 2-Stage Reach.....	7
Tri-Axle 3-Stage Reach.....	8
Quad-Axle 3-Stage Reach .....	8
Tandem/Tridem Pole Single Stage Reach.....	9
Tandem/Tridem Pole 2 - Stage Reach.....	9
Compensator Pole and Housing – Tri-Axle Reach.....	10
Jack-Knife Reach .....	10
 Walking Beam Suspension.....	10
 Sliders	
Slider New Style - Log Jeep.....	11
Slider Old Style - Log Jeep .....	11
Truck Slider.....	12
 Miscellaneous - Anser	
Air Pin Slider Assembly – Log Jeep .....	12
Single Axle Log Jeep Crossmembers.....	12
Air Lift Assembly – Jeep.....	13
Lobed Ramp .....	13
T-Rail .....	13
Rig-out Plate.....	13
Lightbar - Pole Tandem/Tridem.....	13
Safety Chain Hanger.....	13
Lift Ring Pulley .....	13
Tool Box.....	14
Control Box .....	14
Light Box.....	14
Mudflaps Anser .....	14
 Cabguard .....	14

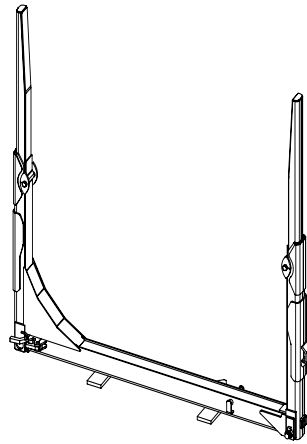


Item	Description
1	Bunk Assembly
2	Cups and Saucers
3	Bolsters

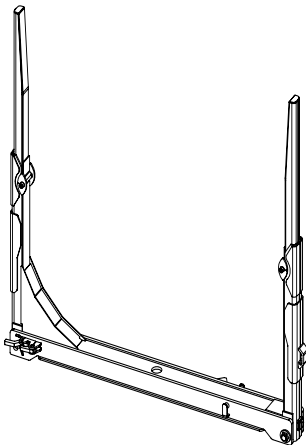
**Bunks**



Channel Bunk

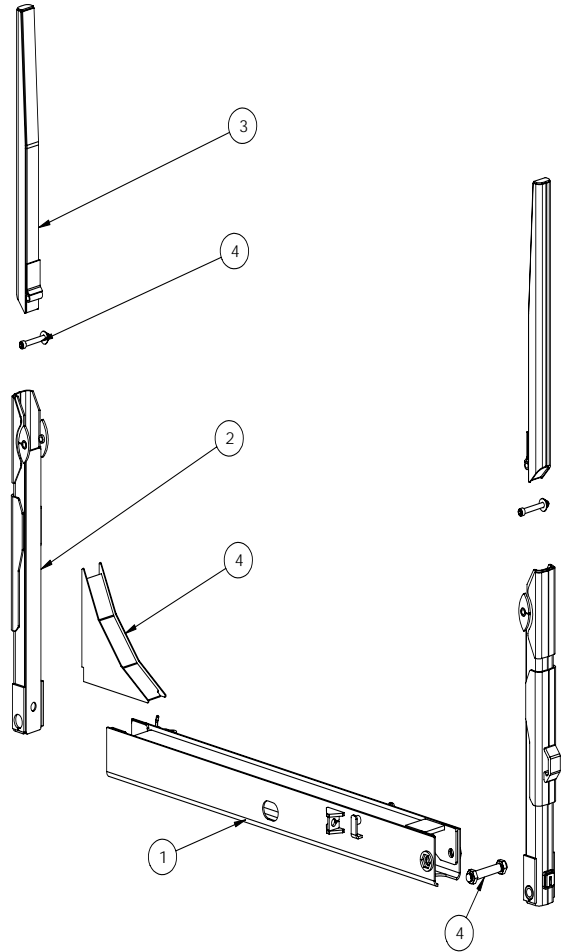


Short Wood Bunk



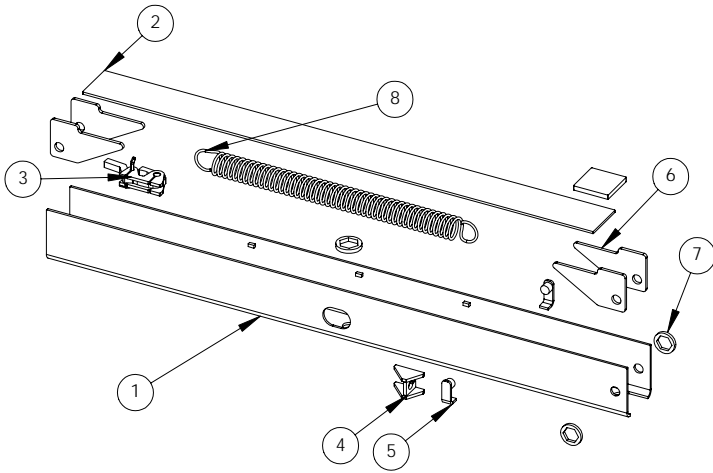
Low Pro Bunk

**Bunk, Stake, Extension & Hardware**

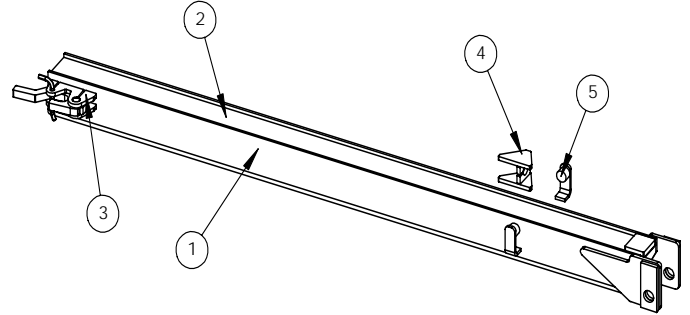


Item	Description	Item	Description
	Channel Bunk	1	Bunk Bases & Bunk Assy
	Shortwood Bunk	2	Main Stakes
	Lo Pro Bunk	3	Extensions
		4	Bunk Hardware

**Channel Bunk Base**



**Short Wood Logger Bunk Base**



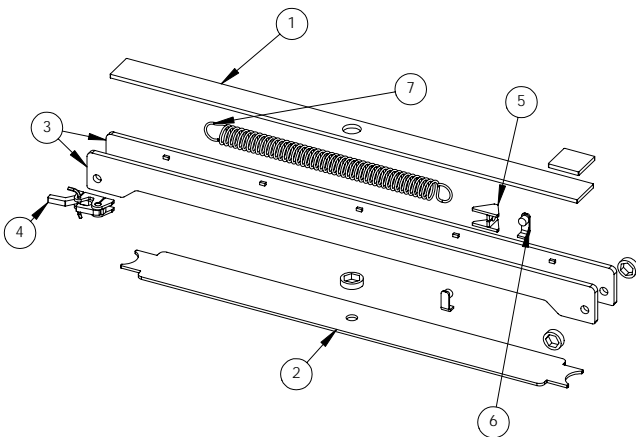
Item	Description	Part #
1	Channel Forming*	-
2	Channel Top Plate*	-
3	Trip Handle Assembly	1205
4	Cable Anchor	1209
5	Large Cable Guide	1211
6	Side Stiffener	120203
7	Bunk Base Bolt Stop (Stake)	120202
8	Spring - Bunk	Ansm-E-.5X34.5

Options:  
 \*Bunk Base 8'6", 9'6" and 10' wide  
 (S/2) - Solid 2 Sides (includes item line 1, 2, 6 as shown on above chart)  
 (T/1) - Tripped 1 Side (includes item line 1-7 as shown on above chart)  
 (T/2) - Tripped 2 Sides (includes item line 1-7 as shown on above chart)

Item	Description	Part #
1	Channel Forming*	-
2	Channel Top Plate*	-
3	Trip Handle Assembly	1205
4	Cable Anchor	1209
5	Large Cable Guide	1211
6	Side Stiffener	120203
7	Spring - Bunk	Ansm-E-.5X34.5

Options:  
 \*Bunk Base 8'6" and 9'6" wide  
 (S/2) - Solid 2 Sides (includes item line 1, 2, 6 as shown on above chart)  
 (T/1) - Tripped 1 Side (includes item line 1-7 as shown on above chart)  
 (T/2) - Tripped 2 Sides (includes item line 1-7 as shown on above chart)

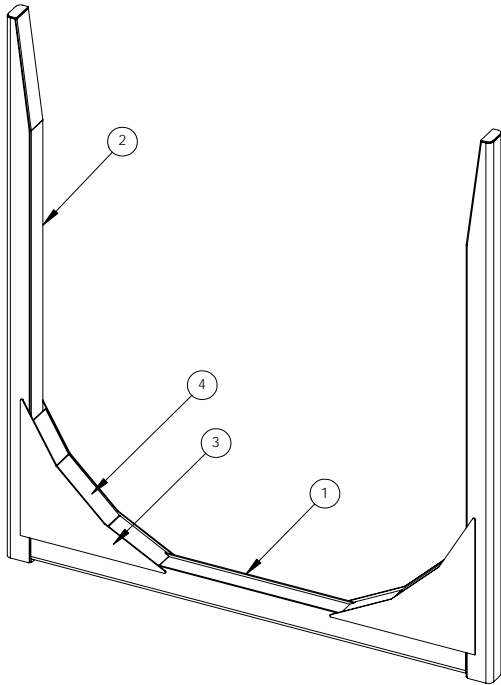
**Lo Profile Bunk Base**



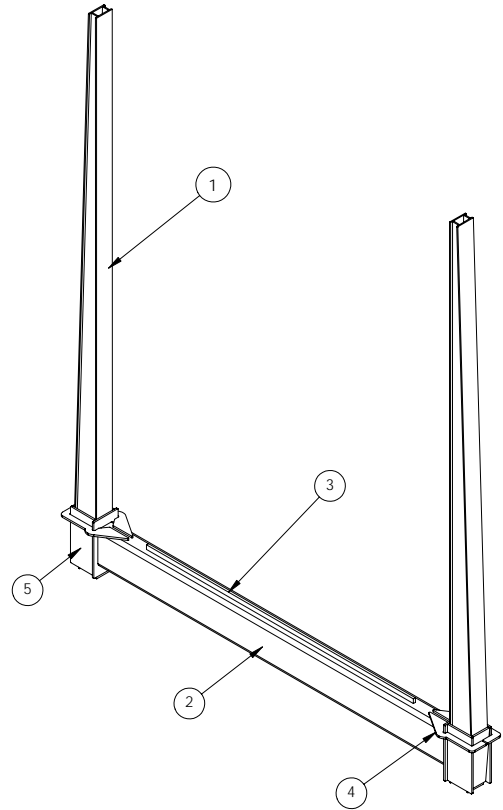
Item	Description	Part #
1	Top Plate*	-
2	Bottom Plate*	-
3	Side Plate*	-
4	Trip Handle Assembly	1205
5	Cable Anchor	1209
6	Large Cable Guide	1211
7	Spring - Bunk	Ansm-E-.5X34.5

Options:  
 \*Bunk Base 8'6", 9'6" and 10' wide  
 (S/2) - Solid 2 Sides (includes item line 1, 2, 6 as shown on above chart)  
 (T/1) - Tripped 1 Side (includes item line 1-7 as shown on above chart)  
 (T/2) - Tripped 2 Sides (includes item line 1-7 as shown on above chart)  
 Note: Picture of Bunk Base S/2 not as shown on page 6

**Hayrack Channel Bunk S/2**

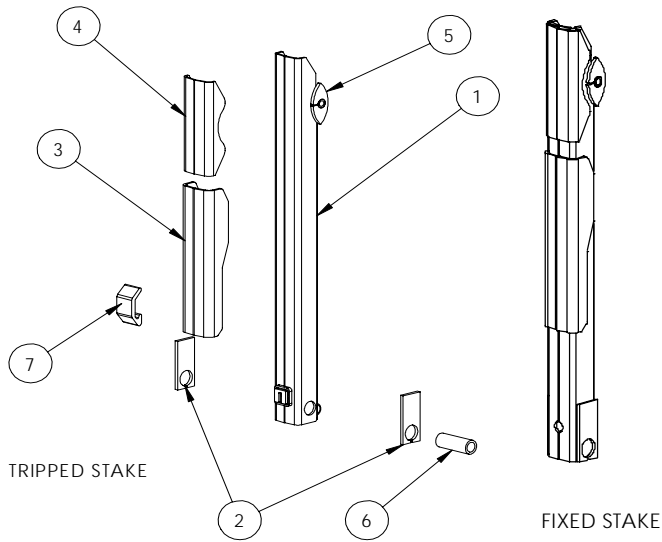


**Short Wood Logger Bunk Base**

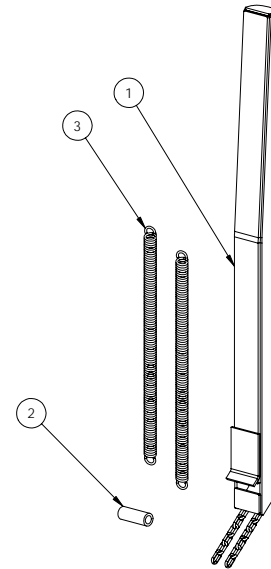


Item	Description	Part #	Item	Description	Part #
1	Hayrack Channel Bunk Base	2100	1	Drop-In Stakes 107"	1321
2	Hayrack Channel Stake 96"	1301	1	Drop-In Stakes 120"	1323
2	Hayrack Channel Stake 120"	1300	2	Bunk Tube	1320
3	Bunk Gusset Side Plate for 96" Stake	120002	3	Knife Edge	1325
3	Bunk Gusset Side Plate for 120" Stake	120001	4	Pocket Wrapper	2398
4	Bunk Gusset Filler Plate for 96" Stake	120003	5	Pocket	2399
4	Bunk Gusset Filler Plate for 120" Stake	120004		Bunk Clip Assembly not shown	1201
	Bunk Clip Assembly not shown	1201			

**Fixed/Tripped Main Stake**

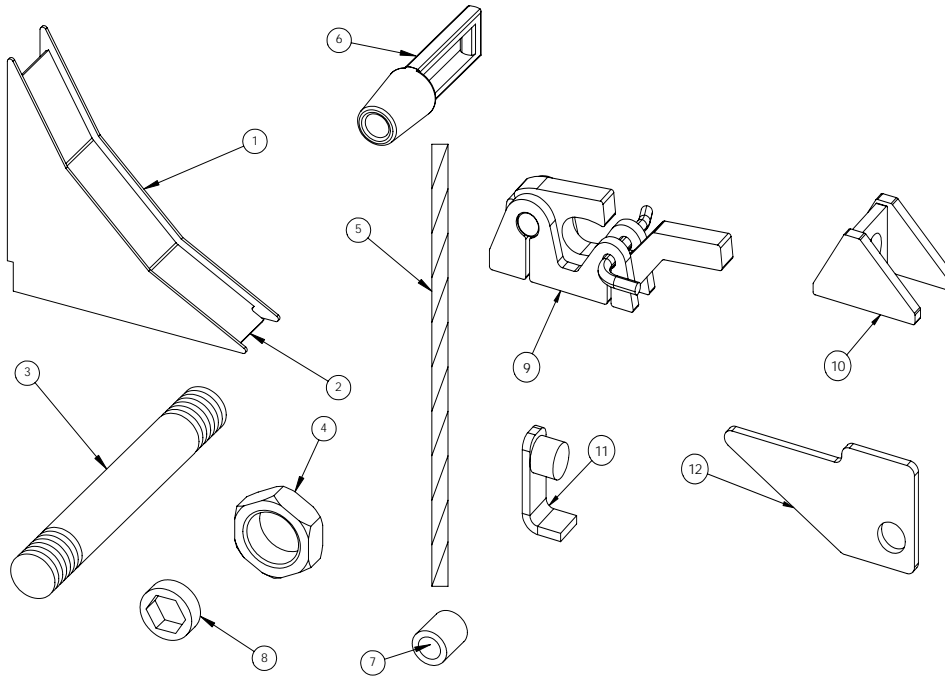


**Tapered Extension**



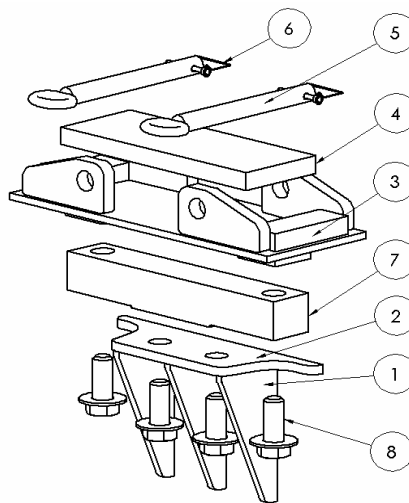
Item	Description	Part #	Item	Description	Part #
1	Fixed Forming 60"	1304	1	Tapered Extension 48"	1401
1	Fixed Forming 66"	1312	1	Tapered Extension 54"	1402
1	Fixed Forming 72"	1315	1	Tapered Extension 60"	1403
1	Fixed Forming 90"	1305	1	Tapered Extension 66"	1404
1	Tripped Forming 60"	1302	2	Extension Bushing	149908
1	Tripped Forming 66"	1314	3	Spring - Extension	Ansm-E-250
1	Tripped Forming 72"	1316			
1	Tripped Forming 90"	1313			
2	Doubler Plate	139902			
3	Mid Wrapper	139906			
4	Top Wrapper	139908			
5	Hinge	139907			
6	Stake Bushing	139904			
7	Cable Guide	Ansu3082-25			

**Bunk Hardware**

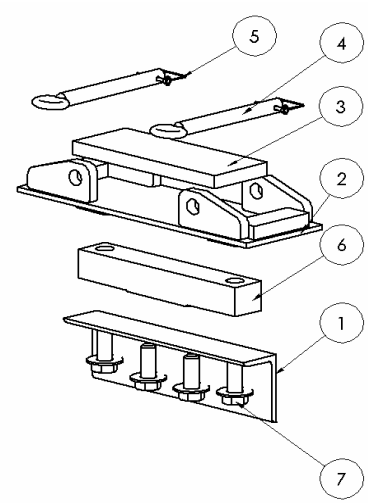


Item	Description	Part #
1	Bunk Gusset Side Plate Small	120002
1	Bunk Gusset Side Plate Large	120001
2	Bunk Gusset Sm Filler Plate	120002
2	Bunk Gusset Lg Filler Plate	120004
3	Bunk Bolt	ANSBB1.5-11
4	Jam Nut	PFSJNC112
5	Cable	WEECAB1
6	Trip Cable Bell	ANSU3082-25
7	Cable Lock	141
8	Bunk Base Bolt Stop (Stake)	120202
9	Bunk Base Trip Handle	1205
10	Bunk Base Cable Anchor	1209
11	Bunk Base Cable Guide Large	1211
12	Bunk Base Side Stiffener	120203

**Tri-axle Bunk  
Clip Assy**

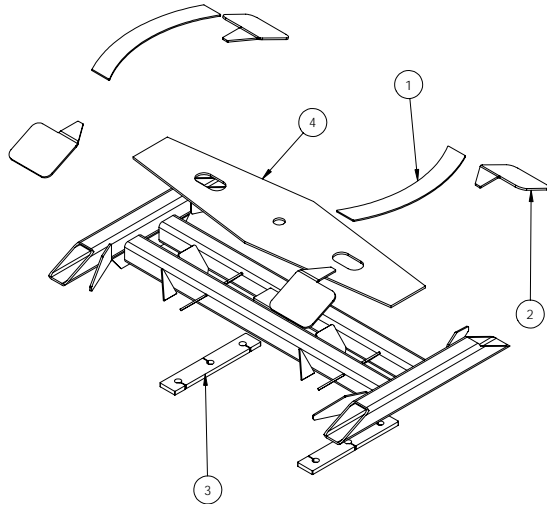


**Truck Bunk  
Clip Assy**

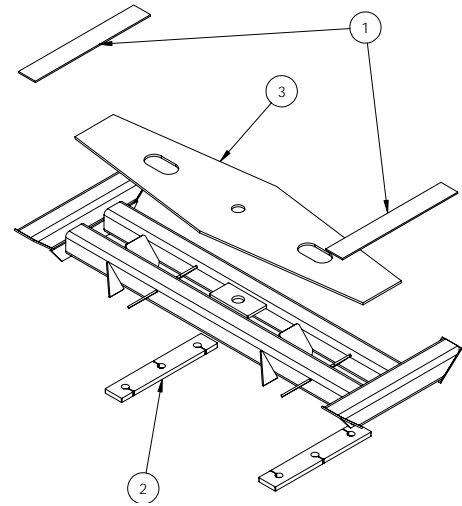


Item	Description	Part #	Item	Description	Part #
1	Bunk Clip Base Gusset (Rail)	124003	1	Bunk Clip Base Gusset (Rail)	124003
2	Bunk Clip Base Bracket (Rail)	124002	2	Bunk Clip Base Bracket (Rail)	124002
3	Bunk Clip Plate Assy	1218	3	Bunk Clip Plate Assy	1218
4	Bunk Clip Base Support (attached to bottom bunk base)	121804	4	Bunk Clip Base Support (attached to bottom bunk base)	121804
5	Bunk Clip Pin	1219	5	Bunk Clip Pin	1219
6	Cotter Pin 1/4"x4"	PFSCO14-14P	6	Cotter Pin 1/4"x4"	PFSCO14-14P
7	Load Cell		7	Load Cell	
8	Capscrew				

**Truck Bolster**

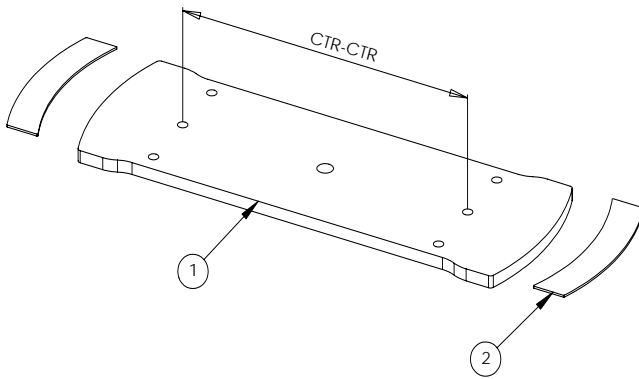


**Tandem Pole Trailer Bolster**

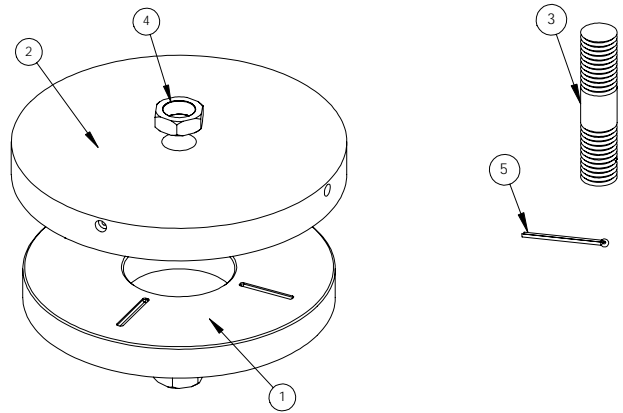


Item	Description	Part #	Item	Description	Part #
	Truck Bolster Assembly	1100		Tandem Pole Bolster Assembly	1102
1	Wear Pad	110001	1	Wear Pad	110201
2	Wheel Rest	110003	2	Mounting Plate	119904
3	Mounting Plate	119904	3	Top Plate	119907
4	Top Plate	119907			

**Tri-Axle and Tridem Pole Trailer Bolster**

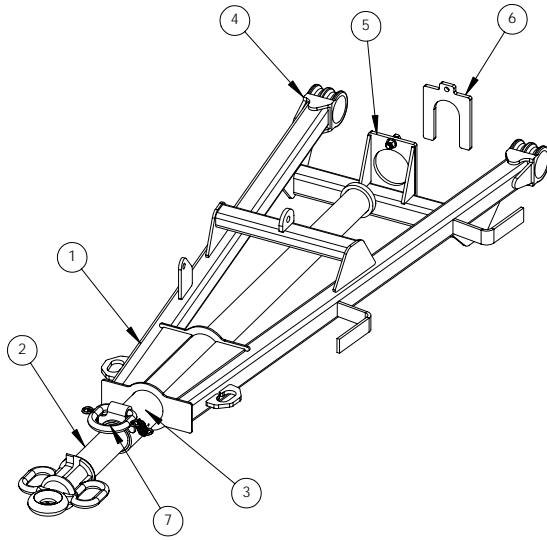


**Cup/Saucer/Bolt/Nut**

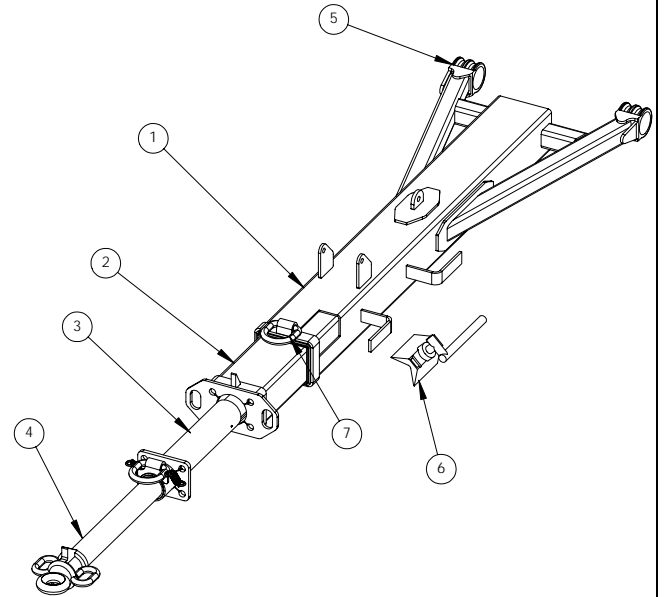


Item	Description	Part #	Item	Description	Part #
	Tri-Axle Bolster Assembly	1105	1	Cup 14"	122711
	Tridem Pole Bolster Assembly	1106	1	Cup 17" LP	122811
1	Bolster Triaxle	110501	1	Cup 17" HD	122911
1	Bolster Tridem	110601	2	Saucer 14"	122712
2	Bolster Wear Pad Triaxle	110502	2	Saucer 17" LP	122812
2	Bolster Wear Pad Tridem	110602	2	Saucer 17" HD	122912
Tri-Axle Bolster dimensions: Ctr-Ctr 38 3/4". Overall width 60"			2	Bolt 1.750"x6"	ANSBB1.750-6
Tridem Pole Bolster dimensions: Ctr-Ctr 32". Overall width 50"			2	Bolt 1.750"x7"	ANSBB1.750-7
			2	Bolt 1.750"x8"	ANSBB1.750-8
			2	Bolt 1.750"x13"	ANSBBA1.750-13
			4	Jam Nut	PFUJNC134
			5	Pin	PFSCP14-14P

**Tri-Axle A-Frame Reach**

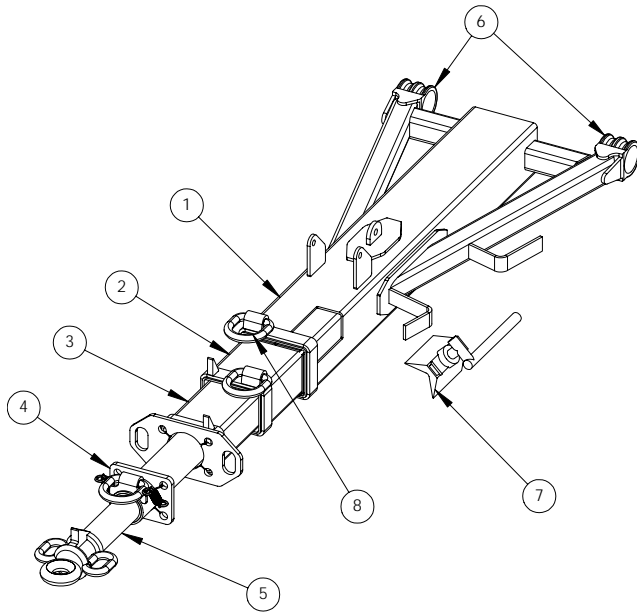


**Tri-Axle 2-Stage Reach**

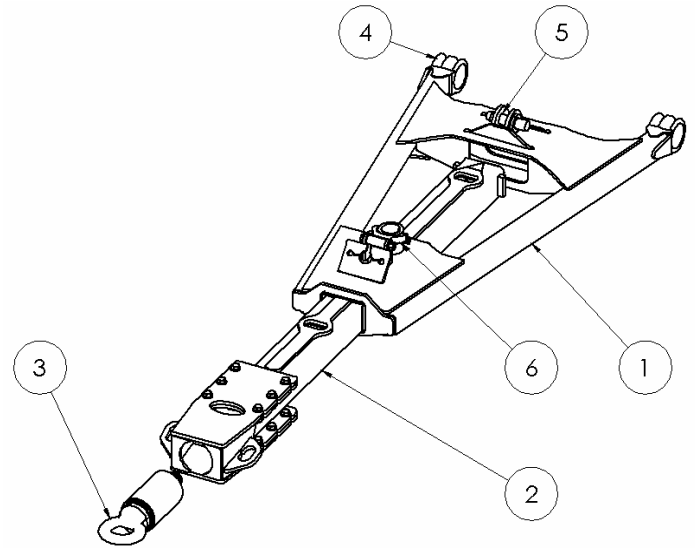


Item	Description	Part #	Item	Description	Part #
1	Tri-Axle A-Frame Reach Assy	1510	1	Tri-Axle 2 Stage Reach Assy	1502
2	Compensator Pole	1512	2	2-Stage Reach Outer Frame	150204
3	Compensator Housing	1511	3	Compensator Pole	1574
4	Hinge Housing	PRE354	4	Compensator Housing	1503
5	Reach Lock Assembly	1515	5	2-Stage Reach Inner Tube	150201
6	Lock U-Plate	151502	6	Hinge Housing	PRE354
7	D-Ring	ANSU3082-2	7	Reach Clamp	ANSU3082-3
			7	D-Ring	ANSU3082-2

**Tri-Axle 3-Stage Reach**

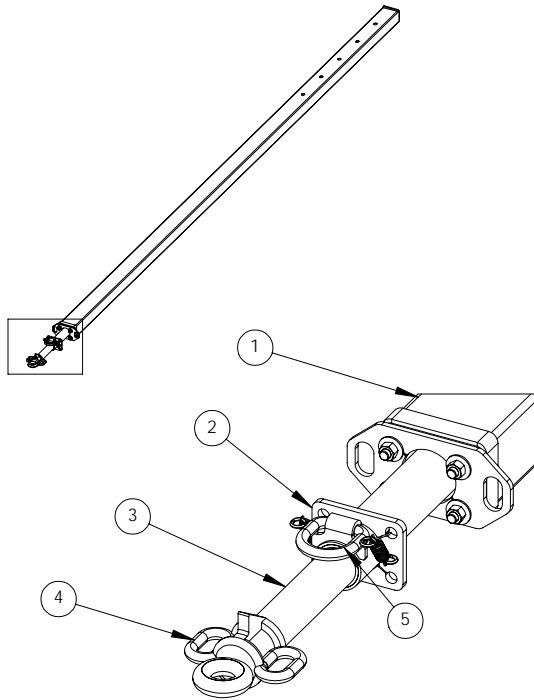


**Quadaxle Reach**

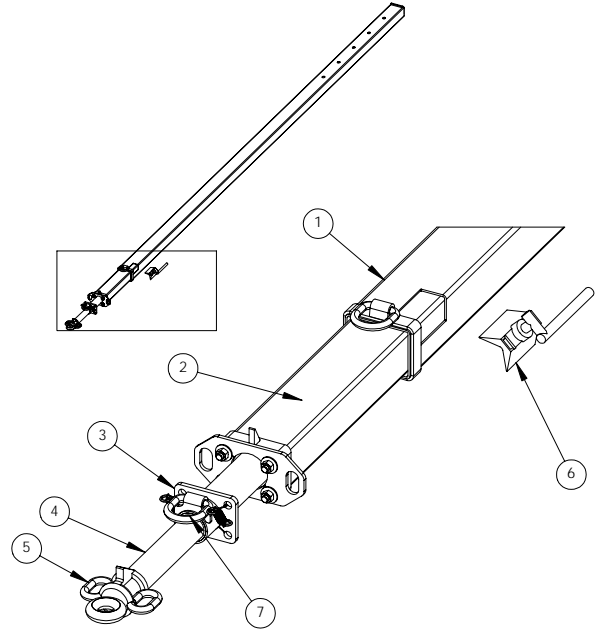


Item	Description	Part #	Item	Description	Part #
	Tri-Axle 3-Stage Reach Assy	1530	1	Quadaxle Air Lock Reach	QA50
1	3-Stage Reach Outer Frame	153005	2	Quadaxle Inner Reach	QA5007
2	3-Stage Reach Middle Tube	153003	3	Premier Swivel Eye	PRE307K
3	3-Stage Reach Inner Tube	153001	3	Premier Front End Housing	PRE536B
4	Compensator Housing	1503	4	Premier Hinge Housing	PRE424
5	Compensator Pole	1574	5	Removable Lift Pin	QA5023
6	Hinge Housing	PRE354	5	Removable Lift Pin Ring	QA5022
7	Reach Clamp	ANSU3082-3	6	Quadaxle Reach Air Pin Assy	QA5024
8	D-Ring	ANSU3082-2			

**Tandem/Tridem Pole Single Stage Reach**

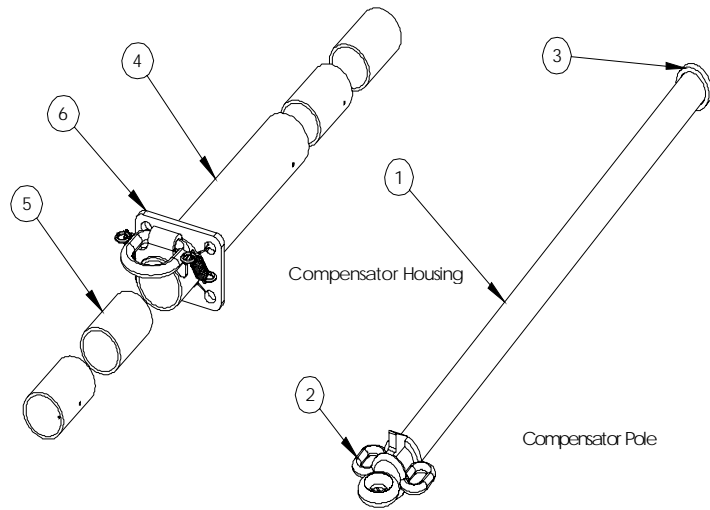


**Tandem/Tridem Pole 2 - Stage Reach**

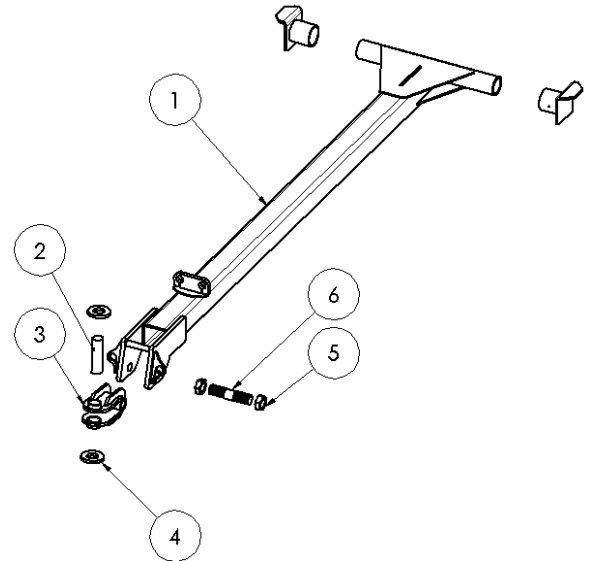


Item	Description	Part #	Item	Description	Part #
	Tandem Pole Single Stage Assy Tridem Pole Single Stage Assy	PT-REACH30NI TP-REACH30NI		Tandem Pole 2-Stage Assy Tridem Pole 2-Stage Assy	PT-REACH30WI TP-REACH30WI
1	Tube Tandem	1540	1	Outer Tube Tandem	1545
1	Tube Tridem	1544	1	Outer Tube Tridem	1555
2	Compensator Housing	1503	2	Inner Tube Tandem	1546
3	Compensator Pole Tandem	1512	2	Inner Tube Tridem	1556
3	Compensator Pole Tridem	1556	3	Compensator Housing	1503
4	Reach Eye	ANSU3082-41	4	Compensator Pole Tandem	1512
5	D-Ring	ANSU3082-2	4	Compensator Pole Tridem	1556
			5	Reach Eye	ANSU3082-41
			6	Reach Clamp	ANSU3082-3
			7	D-Ring	ANSU3082-2

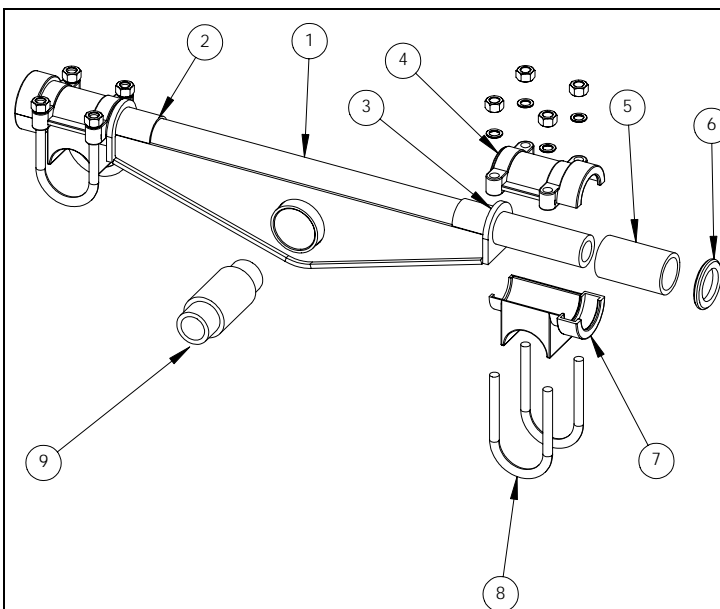
**Compensator Pole and Housing – Reach**



**Jack-Knife Reach**



Item	Description	Part #	Item	Description	Part #
1	Compensator Pole-TA A-Frame	1512	1	Jack-Knife Reach 1-Stage Assy.	1560
1	Compensator Pole-Tandem Pole	1512	2	Jack-Knife Reach Knuckle Pin	156507
1	Compensator Pole-Tridem Pole	1556	3	Jack-Knife Reach Knuckle Assy	1565
1	Compensator Pole-TA 2/3 Stage	1574	4	Jack-Knife Reach Knuckle Ring	156504
2	Reach Eye	ANSU3082-41	5	Bolt 1.5"x8"	ANSBB1.5-8
3	Compensator Stop Ring	150402	6	Jam Nut 1.5"	PFSJNC112
4	Compensator Housing TA A-Frame	1511			
4	Compensator Housing-TA 2/3St	1503			
4	Compensator Housing-Tan/Trdm Pole	1503			
5	Bushing	ANSCH84			
6	Mounting Plate	150302			

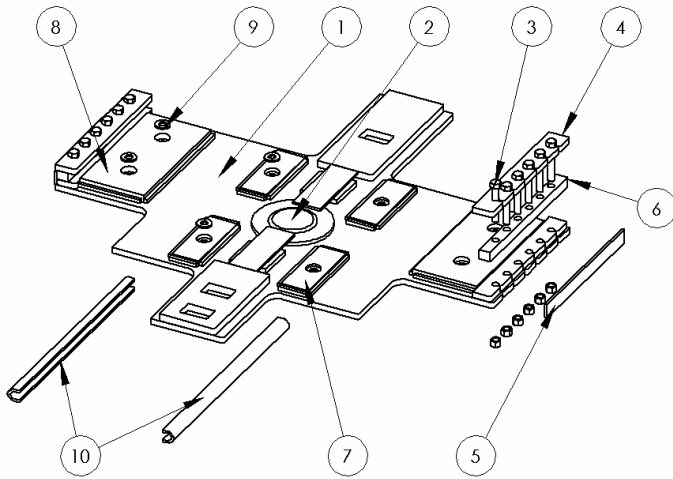


**Walking Beam Suspension (54"S)**

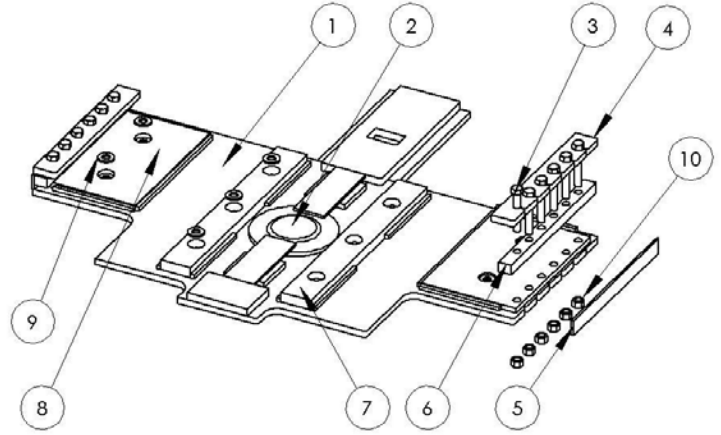
Item	Description	Part #
	Walking Beam Assy*	1700C
	Walking Beam Assy**	1700
	Walking Beam Assy***	1700-NCB
1	Trunnion Tube	170001
2	Tube Cap	179902
3	D- Ring	170002
4	Trunnion Cap - Casting	ANSU3082-43
5	Bushing Rubber	BCRR275
6	Alignment Ring	170003
7	Axle Seat - Casting	ANSU3082-42
8	U-Bolts 1"x5"x11" Washer 1" Nut 1"	D1x5x11RT UBW85 DN1GR8
9	Center Bushing	HT22282-000L

\* Part #1700C as shown above – complete (incl. item 1-9)  
 \*\*Part #1700 (not incl. item 4,5,6,7,8)  
 \*\*\*Part #1700-NCB (not incl. item 4,5,6,7,8,9)

**Slider New Style - Log Jeep**

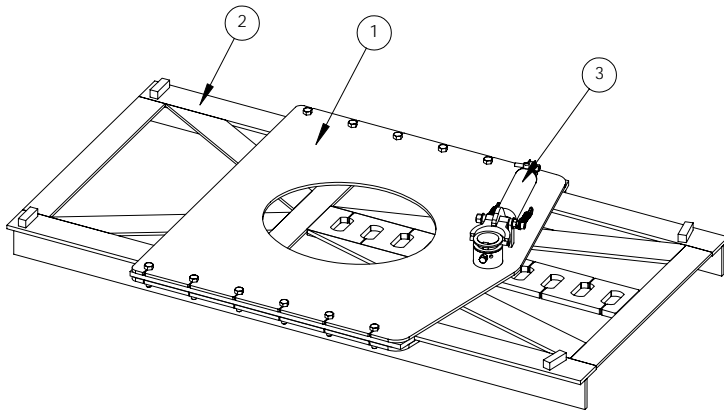


**Slider Old Style - Log Jeep**

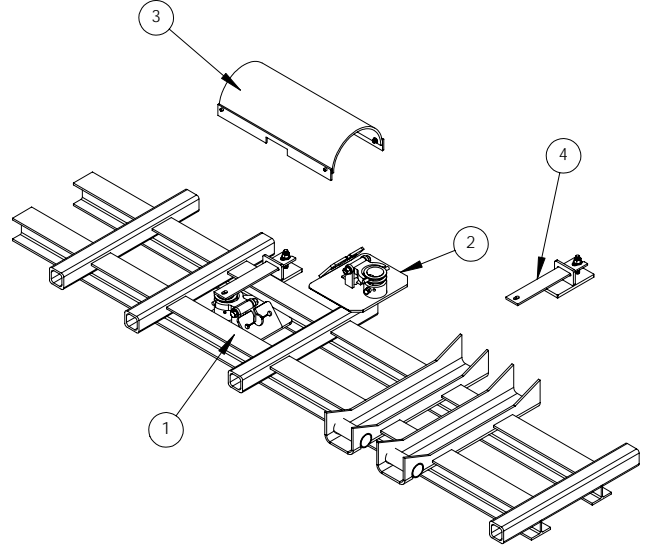


Item	Description	Part #	Item	Description	Part #
	New Style Jeep Slider Plate Assy*	2701		Old Style Jeep Slider Assembly*	2711
1	Main Slider Plate	-	1	Main Slider Plate	-
2	King Pin	HOLKP-T-809BF	2	King Pin	HOLKP-T-809BF
3	Bolt 5/8"x3.75" Nut 5/8" Washer 5/8	PFSCSH8F58-334P PFSLNSCC58P PFSFW858ZD	3	Bolt 5/8"x3.75"	PFSCSH8F58-334P
4	Top Bolting Plate	270103	4	Top Bolting Plate	270103
5	Outer Spacer	270115	5	Outer Spacer	270115
6	Synsteel	270113	6	Synsteel	270113
7	Inner Teflon	270105	7	Inner Teflon	271102
8	Outer Teflon	270104	8	Outer Teflon	271103
9	Weld-On Washers	270119	9	Weld Washers	270119
10	Rail Guides	1048	10	Nut 5/8" Washer 5/8	PFSLNSCC58P PFSFW858ZD
*Part #2701 (incl. item 1,2,7,8,9)			*Part #2711 (incl. item 1,2,7,8,9)		

**Truck Slider**



**Single Axle Log Jeep X-Members**



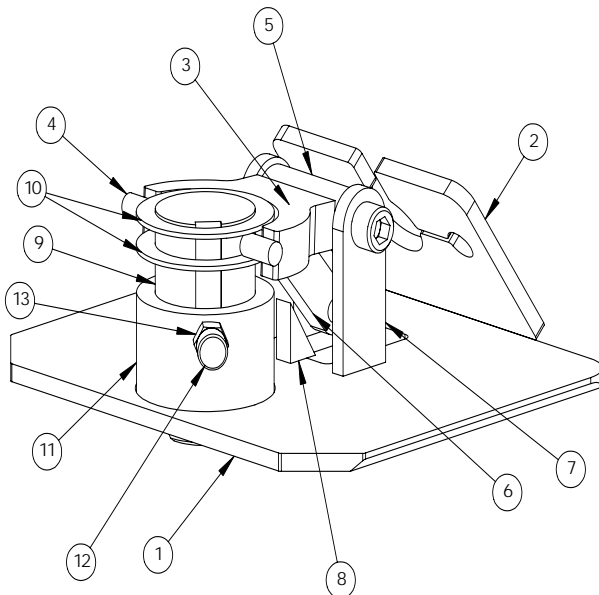
Item	Description	Part #
1,2	Truck Slider Assembly	2704
3	Air Pin Assy	2707
4	Air Cylinder	HOLXA2524R

Item	Description	Part #
1	Jeep Cross Members Assy*	303
2	Air Pin Slider Assembly	2702
3	Birdhouse	30302
4	Spring**	233

Also available in 48" and 72"

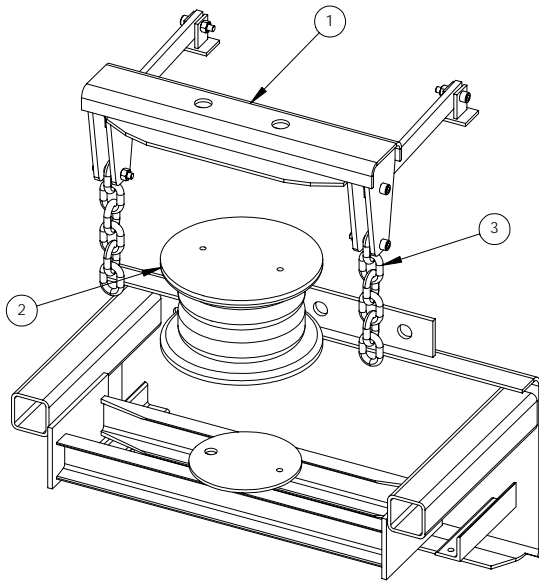
\*Includes: line 1,2,3,4 - \*\*Does not include Bracket

**Air Pin Slider Assembly – Log Jeep**

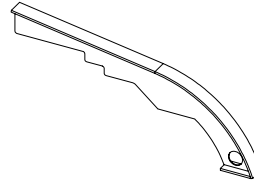


Item	Description	Part #
	Air Pin Slider Assembly	2702
1	Air Pin Base Plate	270201
2	Air Pot Mounting Plate	270202
3	Yoke	279905
4	Yoke Lift Ends	279906
5	Bolt Bushing	279904
6	Air Pot Tab	270203
7	Bushing Support	270205
8	Air Pot Tab Support	270204
9	Air Slider Pin	279901
10	Slider Pin Ring	279902
11	Pin Collar	279903
12	Cap Screw 1/2x1"	PFSCH8C12-1P
13	Nut 1 1/2"	PFSLNNC12P
14	Cap Screw 5/8x5" (see #5)	PFSCH8C58-5
15	Nut 5/8" (see #5)	PFSLNNC58

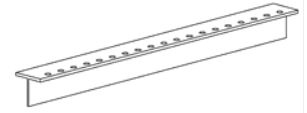
**Air Lift Assembly – Jeep**



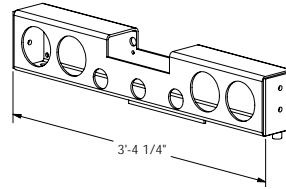
**Miscellaneous**



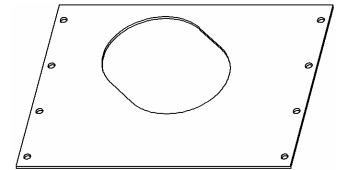
Low Bed Jump-Up Ramp



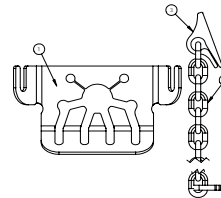
T-Rails



Lightbar



Rigout Plate-Oval Hole



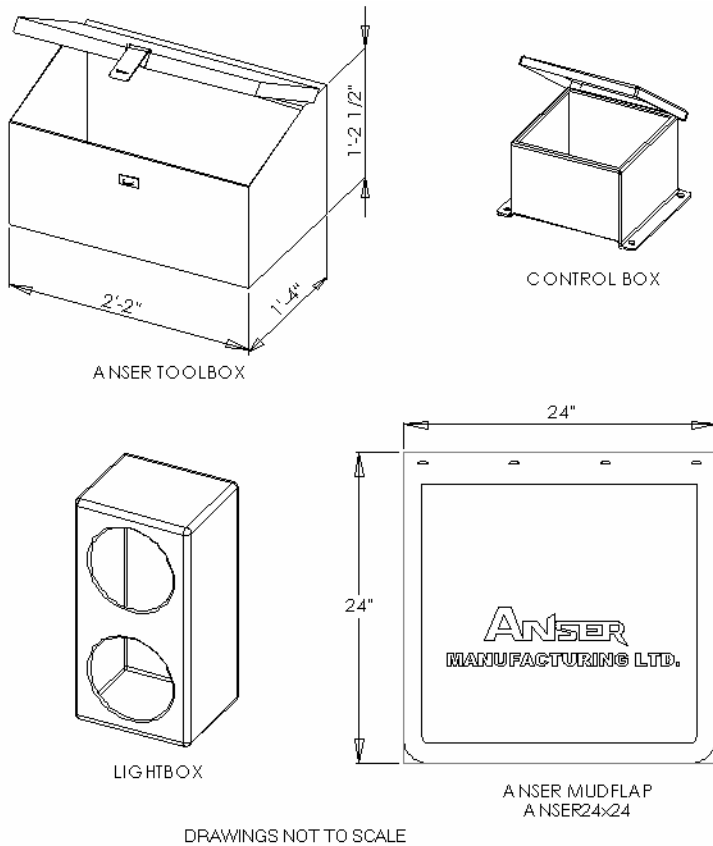
Chain Hanger Plate



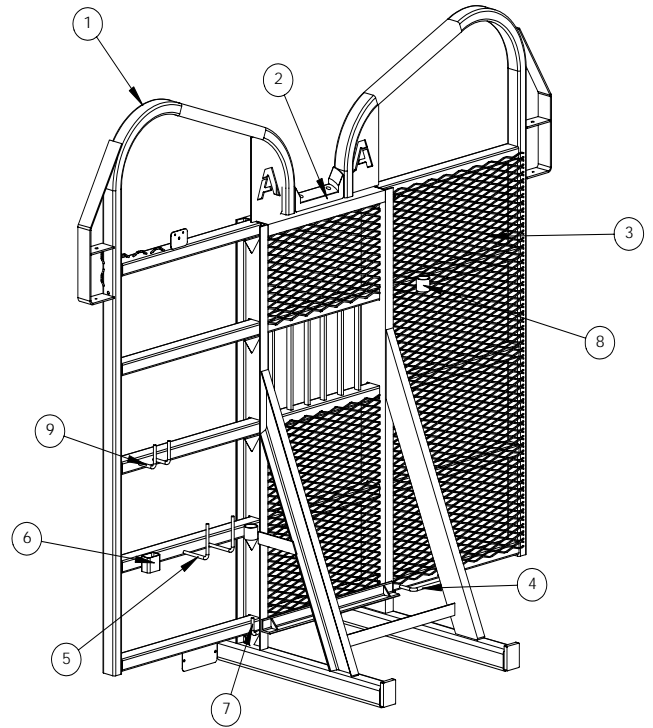
Lift Ring Pulley

Item	Description	Part #	Description	Part #
1	Upper Center Air Lift	608	Low Bed Jump-Up Ramp	2805
2	Air Bag	FS7472	T-Rail	
3	Chain	-	Lightbar - Tandem & Tridem Pole	800
			Rigout Plate-Oval Hole	230101
			Chain Hanger Plate	202401
			Chain c/w Toggles 20"	ANSSCT20
			Chain c/w Toggles 60"	ANSSCT60
			Hooks (2 hooks per chain)	202301
			Lift Ring Pulley	ANSLRP

**Tool/Light/Control Box & Mudflaps**



**Cabguard Standard**



Item	Description	Part #	Item	Description	Part #
	Tool Box	ANSTB	1	Cabguard Std Screened Assy Cabguard Std Aluminum Sheeted Cabguard Short Log Alum Sheeted	ANSCBS ANSCBA ANSCBAQ
	Control Box	ANS12ST664	2	Deluxe Reach Rest	3023
	Light Box	ANSLB5612	3	Cover Plates Screened or Aluminum Sheeted	-
	Mudflap	ANSMF	4	Shovel Holder	29910
			5	Wrapper Hook	29913
			6	Axe Handle Holder	29916
			7	Snipe Holder	29912
			8	Shovel Holder Pipe	29914
			9	Axe Holder	29911
			10	Mounting Kit	ANSCB-MNTKIT
			11	Reach Rest Adapter	3021
			*Cabguard c/w Lights, Accessories and Mounting Kit ** Reach Rest Adapter for Tri-Axle/Quadaxle application		